

BULL DOLLY



BULL DOLLY

The Hilman Bull Dolly Series is a lightweight, cost effective solution for moving heavy equipment such as large safes, chillers, condensers, other machinery, and non-marking for delicate floors.

1-6 TONS



Lightweight, Cost Effective - offers different wheel options to protect floors and a variety of top styles for straight moving or turning.

9-18 TONS



Higher Capacity, Large Footprint - allows user to spread the load over greater area, up to 18 tons!

4-72 TON KITS



Prepackaged Kits - come equipped with everything needed to move heavy equipment with ease!

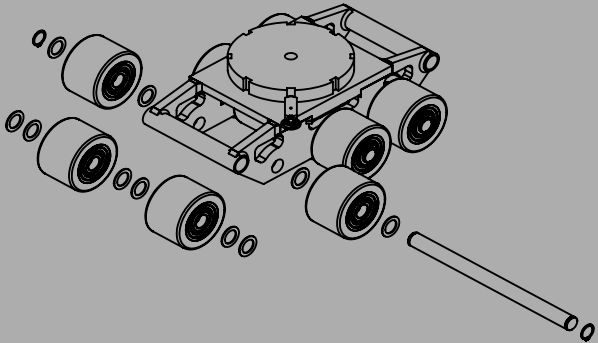


FLOOR PROTECTION

Polyurethane and Nylon wheel options are non-marking and can be used on a variety of floor surfaces.

MAINTENANCE FRIENDLY

Our dollies have very few moving parts minimizing maintenance requirements.



EASY TO MANEUVER

Bull Dollies are ideal for positioning and moving heavy loads either in a straight line or where turns are needed.



ADVANTAGES

All tops are swivel locking and can be used in the swivel or rigid mode.



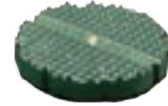
SMOOTH STEEL TOPS (S)

ideal for weld-mounting the rollers to equipment or as a base unit for a variety of top modifications.



PADDED STEEL TOPS (P)

allow some compression and provide a non-slip surface for moving on less than perfect floors.



DIAMOND STEEL TOP (D)

spike-like steel grid able to grip into wood and provide a secure move for crated or palletized equipment.

VERSATILE TOP PLATES



LARGE FOOTPRINT
to spread the load over greater area

WHEEL OPTIONS

NYLON WHEELS

for good floor protection and favorable wear. They will not "set" if left under load (static) for a period of time



POLY WHEELS

are a softer wheel that provide excellent floor protection on tile floors



STEEL WHEELS

provide the best wear characteristics and are great for durable floors



STEERING HANDLES



HANDLE & ALIGNMENT BAR for high capacity bull dollies, 1in alignment bar.



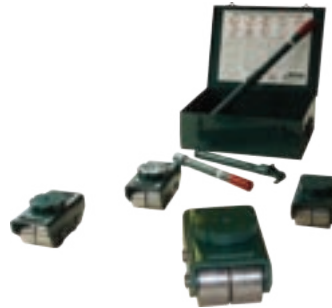
KITS

Lightweight, Cost Effective – easy to maneuver heavy equipment such as transformers, chillers, condensers and machinery.

KBSP-24P



KBSS-12S



KBSD-4N



Hilman Part #	Kit Capacity	Dolly Capacity	Top Style Description	Roller Material	Kits Include	Weight	
						(lb)	(kg)
KBSP-4N	4 ton	1 ton	Swivel Padded	Nylon	(4) BSP-1N Dollies, (2) Handles	85	39
KBSP-4P	4 ton	1 ton	Swivel Padded	Polyurethane	(4) BSP-1P Dollies, (2) Handles	85	39
KBSP-4S	4 ton	1 ton	Swivel Padded	Steel	(4) BSP-1S Dollies, (2) Handles	85	39
KBSD-4N	4 ton	1 ton	Swivel Diamond	Nylon	(4) BSD-1N Dollies, (2) Handles, (4) Pre-load pads	83	38
KBSD-4P	4 ton	1 ton	Swivel Diamond	Polyurethane	(4) BSD-1P Dollies, (2) Handles, (4) Pre-load pads	83	38
KBSD-4S	4 ton	1 ton	Swivel Diamond	Steel	(4) BSD-1S Dollies, (2) Handles, (4) Pre-load pads	83	38
KBSP-12N	12 ton	3 ton	Swivel Padded	Nylon	(4) BSP-3N Dollies, (2) Handles	100	45
KBSP-12P	12 ton	3 ton	Swivel Padded	Polyurethane	(4) BSP-3P Dollies, (2) Handles	100	45
KBSP-12S	12 ton	3 ton	Swivel Padded	Steel	(4) BSP-3S Dollies, (2) Handles	100	45
KBSD-12N	12 ton	3 ton	Swivel Diamond	Nylon	(4) BSD-3N Dollies, (2) Handles, (4) Pre-load pads	102	46
KBSD-12P	12 ton	3 ton	Swivel Diamond	Polyurethane	(4) BSD-3P Dollies, (2) Handles, (4) Pre-load pads	102	46
KBSD-12S	12 ton	3 ton	Swivel Diamond	Steel	(4) BSD-3S Dollies, (2) Handles, (4) Pre-load pads	102	46
KBSS-12N	12 ton	3 ton	Swivel Smooth	Nylon	(4) BSS-3N Dollies, (2) Handles	102	46
KBSS-12P	12 ton	3 ton	Swivel Smooth	Polyurethane	(4) BSS-3P Dollies, (2) Handles	102	46
KBSS-12S	12 ton	3 ton	Swivel Smooth	Steel	(4) BSS-3S Dollies, (2) Handles	102	46
KBSP-24N	24 ton	6 ton	Swivel Padded	Nylon	(4) BSP-6N Dollies, (2) Handles	216	98
KBSP-24P	24 ton	6 ton	Swivel Padded	Polyurethane	(4) BSP-6P Dollies, (2) Handles	216	98
KBSP-24S	24 ton	6 ton	Swivel Padded	Steel	(4) BSP-6S Dollies, (2) Handles	216	98
KBSD-24N	24 ton	6 ton	Swivel Diamond	Nylon	(4) BSD-6N Dollies, (2) Handles, (4) Pre-load pads	216	98
KBSD-24P	24 ton	6 ton	Swivel Diamond	Polyurethane	(4) BSD-6P Dollies, (2) Handles, (4) Pre-load pads	216	98
KBSD-24S	24 ton	6 ton	Swivel Diamond	Steel	(4) BSD-6S Dollies, (2) Handles, (4) Pre-load pads	216	98
KBSS-24N	24 ton	6 ton	Swivel Smooth	Nylon	(4) BSS-6N Dollies, (2) Handles	213	97
KBSS-24P	24 ton	6 ton	Swivel Smooth	Polyurethane	(4) BSS-6P Dollies, (2) Handles	213	97
KBSS-24S	24 ton	6 ton	Swivel Smooth	Steel	(4) BSS-6S Dollies, (2) Handles	213	97

All Kits 4 to 12 tons include - Steel Case Kit Box BDS1-KB: 18 13/16" (478mm) x 14.25" (362mm) x 5.94" (151mm)

All Kits 24 tons include - Steel Case Kit Box BDS1-KB2: 25 3/16" (640mm) x 10.30" (262mm) x 14" (356mm)



INDIVIDUAL

Bull Dollies are ideal for positioning and moving heavy loads either in a straight line or where turns are needed. Offers different wheel options to protect floors and a variety of top styles for straight moving or turning.

SWIVEL DIAMOND



SWIVEL PADDED



SWIVEL SMOOTH



Hilman Part #	Roller Capacity	Top Style Description	Roller Material	Height		Width		Length		Weight	
				(in)	(mm)	(in)	(mm)	(in)	(mm)	(lb)	(kg)
BSD-1N	1 ton	Swivel Diamond	Nylon	4.43	113	4.43	113	6.5	165	11	5
BSD-1P	1 ton	Swivel Diamond	Polyurethane	4.43	113	4.43	113	6.5	165	11	5
BSD-1S	1 ton	Swivel Diamond	Steel	4.43	113	4.43	113	6.5	165	11	5
BSD-3N	3 ton	Swivel Diamond	Nylon	4.79	122	5.23	133	8	203	16	7
BSD-3P	3 ton	Swivel Diamond	Polyurethane	4.79	122	5.23	133	8	203	16	7
BSD-3S	3 ton	Swivel Diamond	Steel	4.79	122	5.23	133	8	203	16	7
BSD-6N	6 ton	Swivel Diamond	Nylon	5.1	129	10	254	11	279	39	18
BSD-6P	6 ton	Swivel Diamond	Polyurethane	5.1	129	10	254	11	279	39	18
BSD-6S	6 ton	Swivel Diamond	Steel	5.1	129	10	254	11	279	39	18
BSP-1N	1 ton	Swivel Padded	Nylon	4.99	127	4.43	113	6.5	165	12	5
BSP-1P	1 ton	Swivel Padded	Polyurethane	4.99	127	4.43	113	6.5	165	12	5
BSP-1S	1 ton	Swivel Padded	Steel	4.99	127	4.43	113	6.5	165	12	5
BSP-3N	3 ton	Swivel Padded	Nylon	5.35	136	5.23	133	8	203	15	7
BSP-3P	3 ton	Swivel Padded	Polyurethane	5.35	136	5.23	133	8	203	15	7
BSP-3S	3 ton	Swivel Padded	Steel	5.35	136	5.23	133	8	203	15	7
BSP-6N	6 ton	Swivel Padded	Nylon	6.6	142	10	254	11	279	39	18
BSP-6P	6 ton	Swivel Padded	Polyurethane	6.6	142	10	254	11	279	39	18
BSP-6S	6 ton	Swivel Padded	Steel	6.6	142	10	254	11	279	39	18
BSS-3N	3 ton	Swivel Smooth	Nylon	4.79	122	5.23	133	8	203	16	7
BSS-3P	3 ton	Swivel Smooth	Polyurethane	4.79	122	5.23	133	8	203	16	7
BSS-3S	3 ton	Swivel Smooth	Steel	4.79	122	5.23	133	8	203	16	7
BSS-6N	6 ton	Swivel Smooth	Nylon	4.85	123	10	254	11	279	38	17
BSS-6P	6 ton	Swivel Smooth	Polyurethane	4.85	123	10	254	11	279	38	17
BSS-6S	6 ton	Swivel Smooth	Steel	4.85	123	10	254	11	279	38	17

All tops are swivel locking.



HIGH CAPACITY

The 9, 12 and 18 ton models have a larger footprint to spread the weight of the load over greater area. Our larger dollies also feature a multi-functional carrying handle that can not only be used to position the unit, but can also fit an optional standard 1 inch alignment bar to stabilize heavy loads.

INDIVIDUAL



Hilman Part #	Roller Capacity	Top Style Description	Roller Material	Height		Width		Length	
				(in)	(mm)	(in)	(mm)	(in)	(mm)
BSS-9P	9 ton	Swivel Smooth	Polyurethane	6.86	174	8.125	206	18.32	465
BSP-9P	9 ton	Swivel Padded	Polyurethane	7.86	199	8.125	206	18.32	465
BSD-9P	9 ton	Swivel Diamond	Polyurethane	6.98	177	8.125	206	18.32	465
BSS-12P	12 ton	Swivel Smooth	Polyurethane	6.86	174	14.18750	360	18.32	465
BSP-12P	12 ton	Swivel Padded	Polyurethane	7.86	199	14.18750	360	18.32	465
BSD-12P	12 ton	Swivel Diamond	Polyurethane	6.98	177	14.18750	360	18.32	465
BSS-18P	18 ton	Swivel Smooth	Polyurethane	6.86	174	14.18750	360	18.32	465
BSP-18P	18 ton	Swivel Padded	Polyurethane	7.86	199	14.18750	360	18.32	465
BSD-18P	18 ton	Swivel Diamond	Polyurethane	6.98	177	14.18750	360	18.32	465
BSS-9N	9 ton	Swivel Smooth	Nylon	6.86	174	8.125	206	18.32	465
BSP-9N	9 ton	Swivel Padded	Nylon	7.86	199	8.125	206	18.32	465
BSD-9N	9 ton	Swivel Diamond	Nylon	6.98	177	8.125	206	18.32	465
BSS-12N	12 ton	Swivel Smooth	Nylon	6.86	174	14.18750	360	18.32	465
BSP-12N	12 ton	Swivel Padded	Nylon	7.86	199	14.18750	360	18.32	465
BSD-12N	12 ton	Swivel Diamond	Nylon	6.98	177	14.18750	360	18.32	465
BSS-18N	18 ton	Swivel Smooth	Nylon	6.86	174	14.18750	360	18.32	465
BSP-18N	18 ton	Swivel Padded	Nylon	7.86	199	14.18750	360	18.32	465
BSD-18N	18 ton	Swivel Diamond	Nylon	6.98	177	14.18750	360	18.32	465

SETS



Hilman Part #	Set Capacity	Dolly Capacity	Top Style Description	Roller Material	Set Includes	Weight	
						(lb)	(kg)
RS-BSP-36P	36 ton	9 ton	Swivel Padded	Polyurethane	(4) BSP-9P Dollies, (2) Handles	409	181
RS-BSP-48P	48 ton	12 ton	Swivel Padded	Polyurethane	(4) BSP-12P Dollies, (2) Handles	443	200
RS-BSP-72P	72 ton	18 ton	Swivel Padded	Polyurethane	(4) BSP-18P Dollies, (2) Handles	517	234
RS-BSD-36P	36 ton	9 ton	Swivel Diamond	Polyurethane	(4) BSD-9P Dollies, (2) Handles	401	181
RS-BSD-48P	48 ton	12 ton	Swivel Diamond	Polyurethane	(4) BSD-12P Dollies, (2) Handles	435	197
RS-BSD-72P	72 ton	18 ton	Swivel Diamond	Polyurethane	(4) BSD-18P Dollies, (2) Handles	509	230
RS-BSP-36N	36 ton	9 ton	Swivel Padded	Nylon	(4) BSP-9N Dollies, (2) Handles	372	168
RS-BSP-48N	48 ton	12 ton	Swivel Padded	Nylon	(4) BSP-12N Dollies, (2) Handles	395	179
RS-BSP-72N	72 ton	18 ton	Swivel Padded	Nylon	(4) BSP-18N Dollies, (2) Handles	445	201
RS-BSD-36N	36 ton	9 ton	Swivel Diamond	Nylon	(4) BSD-9N Dollies, (2) Handles	364	165
RS-BSD-48N	48 ton	12 ton	Swivel Diamond	Nylon	(4) BSD-12N Dollies, (2) Handles	386	175
RS-BSD-72N	72 ton	18 ton	Swivel Diamond	Nylon	(4) BSD-18N Dollies, (2) Handles	436	197

All sets include: (4) dollies and (2) handles



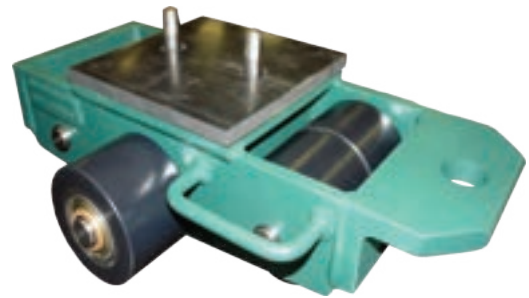
MODIFIED

Bull Dollies can be modified in a number of ways to meet specific project needs. From frame size to wheel elevation, Hilman can make a complete solution for you.

WIPERS & BRUSHES



FRAMES & HOLE PATTERNS



ACCU-ROLL GUIDANCE



HYDRAULIC CYLINDERS



SPECIAL TOPS



ROCKER TOPS



HILMAN HAS A SOLUTION FOR YOU!



HILMAN INC.
12 Timber Lane
Marlboro, New Jersey 07746
USA
Phone: +1-732-462-6277
E-mail: sales@hilmanrollers.com
Website: www.hilmanrollers.com

ISO 9001

9/2024
CAT - 002