

OMNI-SKATE



OMNI-SKATE

The Hilman OMNI-SKATE is a multi-directional load skate capable of traveling in any direction and rotating on axis. Designed, engineered, and manufactured in the USA, the OMNI-SKATE optimizes your move while being the most reliable and rugged solution in the industry.

3, 6, 8 & 10 TONS



Omni-Skates - 360-Degree Maneuverability
- Move heavy loads in tight spaces and around sharp corners in any direction.

LIFT



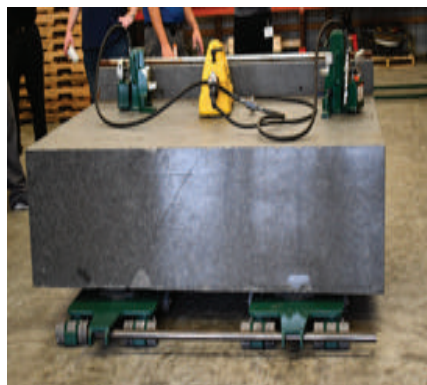
SET



ROLL



**ANY
DIRECTION**



FEATURES

The Hilman OMNI-SKATE is available in capacities of 3, 6, 8, and 10 tons. They can also be combined into sets of 4 for capacities up to 40 tons!



SPECIFICATIONS

OMNI-3



OMNI-6



OMNI-8



OMNI-10



Hilman Part #	Capacity (tons)	Height		Width		Length		Weight		Wheel Type	# of Wheels	Wheel Diameter	Pad Diameter
		(in)	(mm)	(in)	(mm)	(in)	(mm)	(lb)	(kg)				
OMNI-3	3	4.63	117.6	18.937	481	22.562	573.075	68	31	Nylon	6	ø3.13	ø8
OMNI-6	6	4.63	117.6	24.125	612.775	30.125	765.175	111	50	Nylon	9	ø3.14	ø8
OMNI-8	8	4.63	117.6	22.9375	582.613	31.375	796.925	139	63	Nylon	12	ø3.15	ø8
OMNI-10	10	4.63	117.6	31.4375	798.513	38.75	984.25	185	84	Nylon	13	ø3.16	ø8

ALIGNMENT BAR AND STEERING HANDLE

Hilman Part #	Diameter	Length		Weight	
		(in)	(mm)	(lb)	(kg)
KD-BAR-ALGN-2X60	ø1.315	121 3/8	3082.92	21.8	9.888314

Hilman Part #	Width		Length	
	(in)	(mm)	(in)	(mm)
HANDLE-OMNI	13 1/2	342.9	43 1/2	1104.9



ALIGNMENT BAR WITH COUPLING

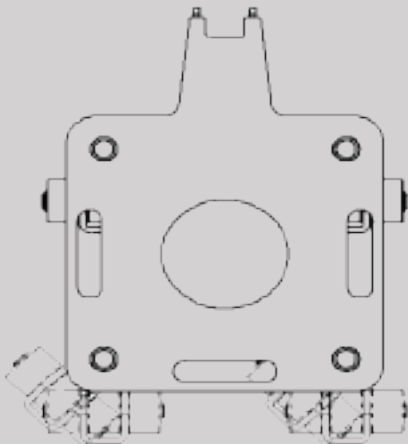


HANDLE



OMNI-SKATE

The Hilman Omni-Skate provides a stable, efficient solution for moving heavy loads.



360-DEGREE ROTATION



ALIGNMENT BAR

Combine dollies into pairs using an adjustable alignment bar.



CONFIGURATIONS

Our dollies can be configured in a number of ways including attaching them to the PowerAttack or using them in conjunction with our TK-EVO or Traksporster.

Images are for representation purposes only. Actual product may differ.





HILMAN INC.
12 Timber Lane
Marlboro, New Jersey 07746
USA
Phone: +1-732-462-6277
E-mail: sales@hilmanrollers.com
Website: www.hilmanrollers.com

ISO 9001

9/2024
CAT - 002