

TOE JACKS



TOE JACKS

TOE JACK PRO



LOW GROUND CLEARANCE -
Reliable manual jacks offers a low clearance of just 1", with a capacity of 100% on top and 80% on the toe. It can be operated both vertically and horizontally.

TOE JACK DELUXE



HIGH QUALITY LIFTING TOE -
Hilman Deluxe Jacks feature a high quality lifting toe that can be adjusted to several heights to accommodate different lift points.

DELUXE JACKING KIT



HYDRAULIC PUMP -
Our quality Toe Jack Kits include hydraulic pumps and have everything you need to lift equipment safely and efficiently.

**EASY LIFTING!
USE MANUALLY OR CONNECT TO PUMP!**



TOE JACK PRO

FASTER LIFT

Our Toe Jack Pro gets 20% more distance per stroke!

EASY OPERATION

Our 5 & 10 models can operate both vertically and horizontally, and have the 100% capacity on top, and 80% on toe.



Hilman Part #	Capacity	Jack Height Retracted		Jack Height Extended		Toe Height		Total Stroke		Pumps (#)	Stroke/Pump		Weight	
		(in)	(mm)	(in)	(mm)	(in)	(mm)	(in)	(mm)		(in)	(mm)	(lb)	(kg)
HTJ-508	5 ton	14.5	368	22.5	571	1.040	26	8	203	45	0.178	4.5	42	19
HTJ-1009	10 ton	16.5	419	25.625	650	1.125	28	9.125	231	97	0.094	2.3	64.8	29

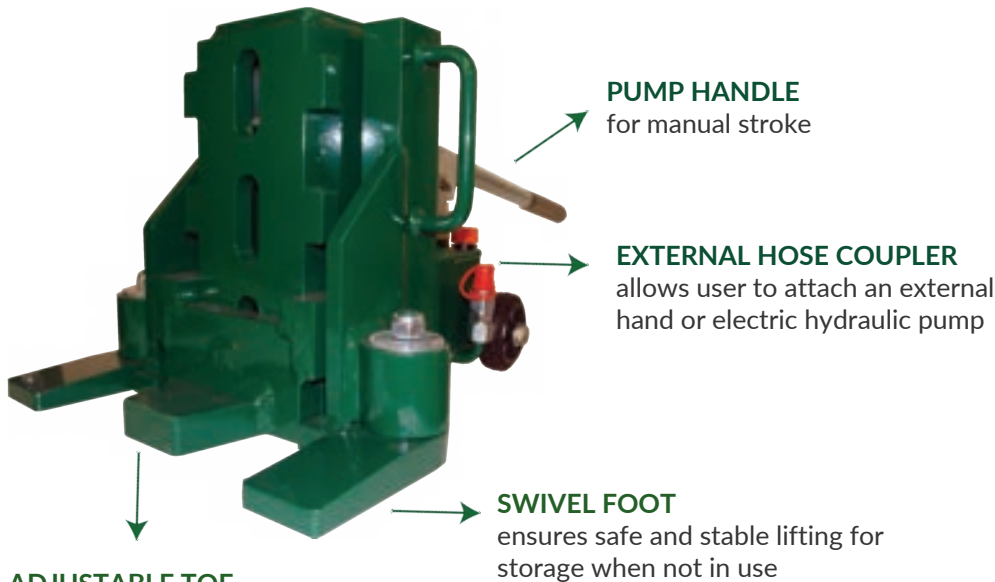
DELUXE JACKS

HIGH-QUALITY LIFTING TOE

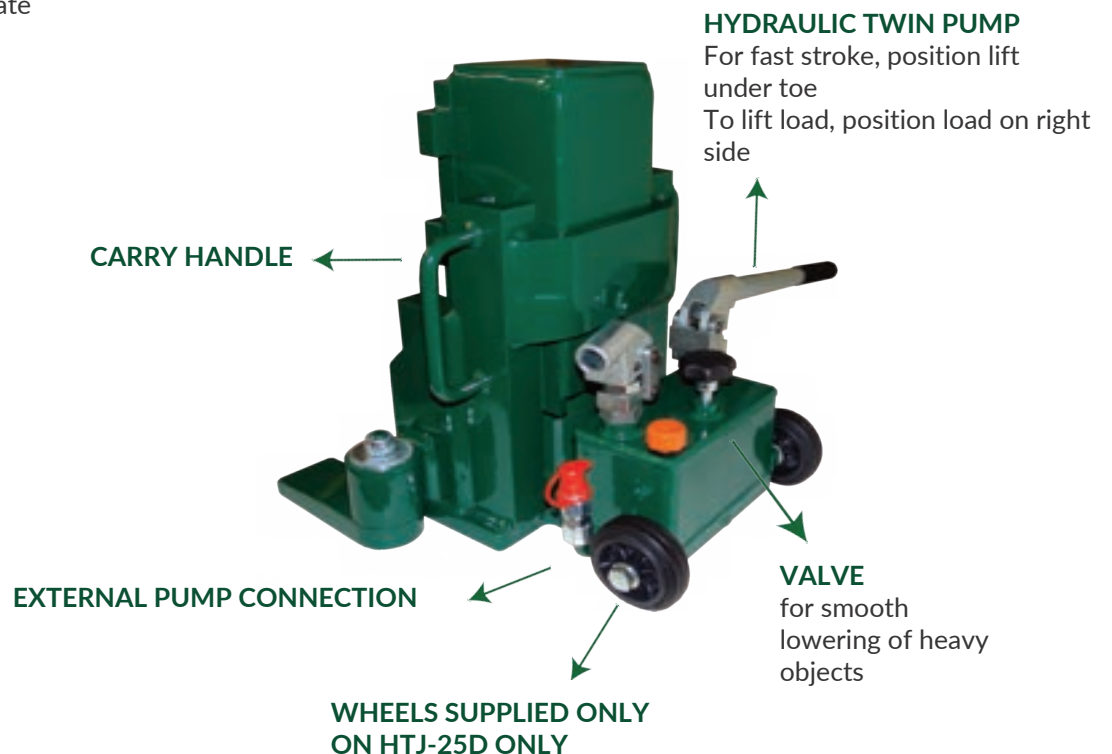
The Hilman Deluxe Jacks are crafted with a premium lifting toe and adjustable height settings, allowing them to accommodate various lift points. These jacks also feature swivel feet for easy storage and a release valve for controlled, smooth lowering.

HYDRAULIC PUMP

Deluxe Jacks come with an external hose coupler that allows the user to attach an external hand or electric hydraulic pump for easy and safe positioning.



ADJUSTABLE TOE
3 positions to accommodate different lift points

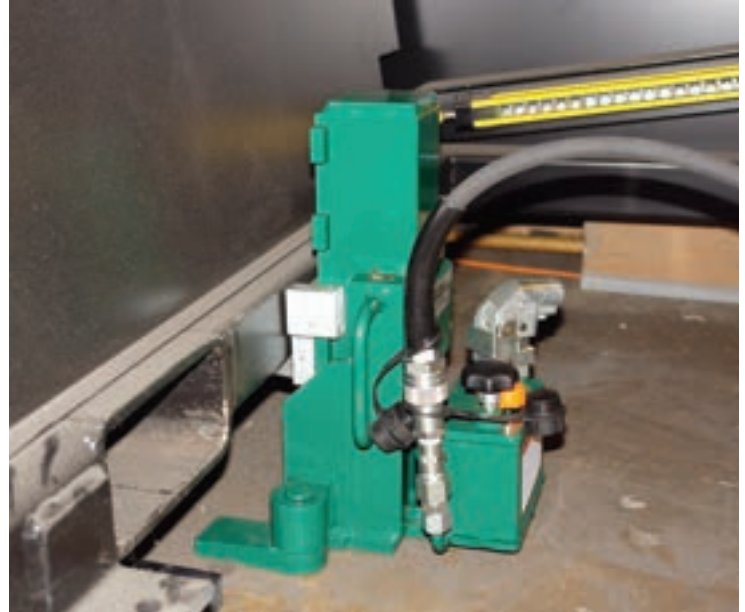


DELUXE JACKS

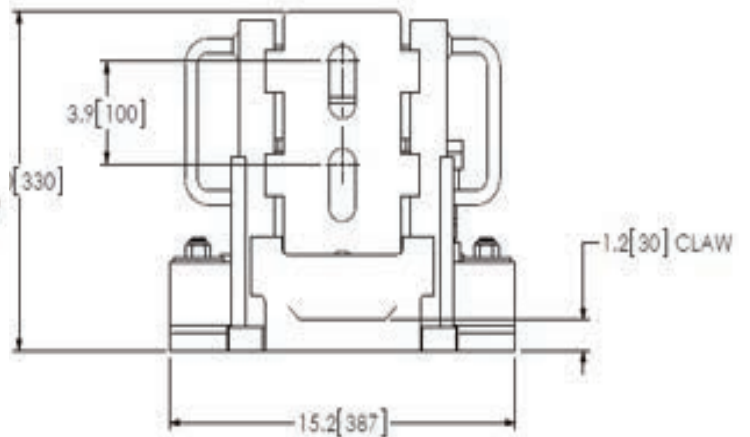
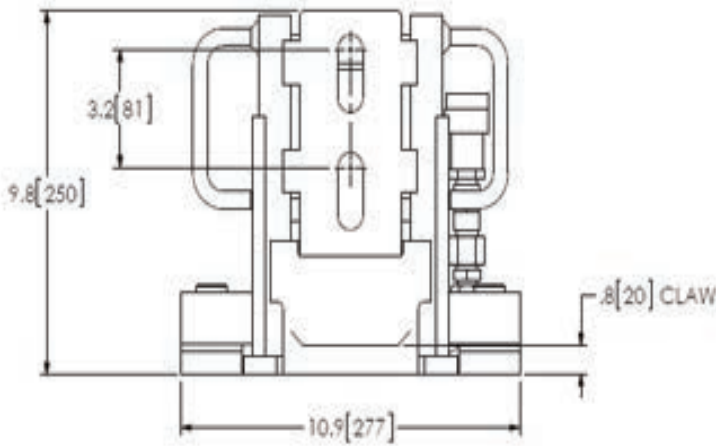


HTJ-10D

HTJ-25D



Hilman Part #	Capacity	Claw Height		Adjustability		Stroke		Length		Width		Height		Weight	
		(in)	(mm)	(in)	(mm)	(in)	(mm)	(in)	(mm)	(in)	(mm)	(in)	(mm)	(lb)	(kg)
HTJ-10D	10 ton	0.79	20	3 x 3.19	3 x 81	5.5	140	10.67	271	10.9	277	9.8	250	62	28
HTJ-25D	25 ton	1.18	30	3 x 3.94	3 x 100	5.5	140	15.28	388	15.24	387	13.0	330	159	72

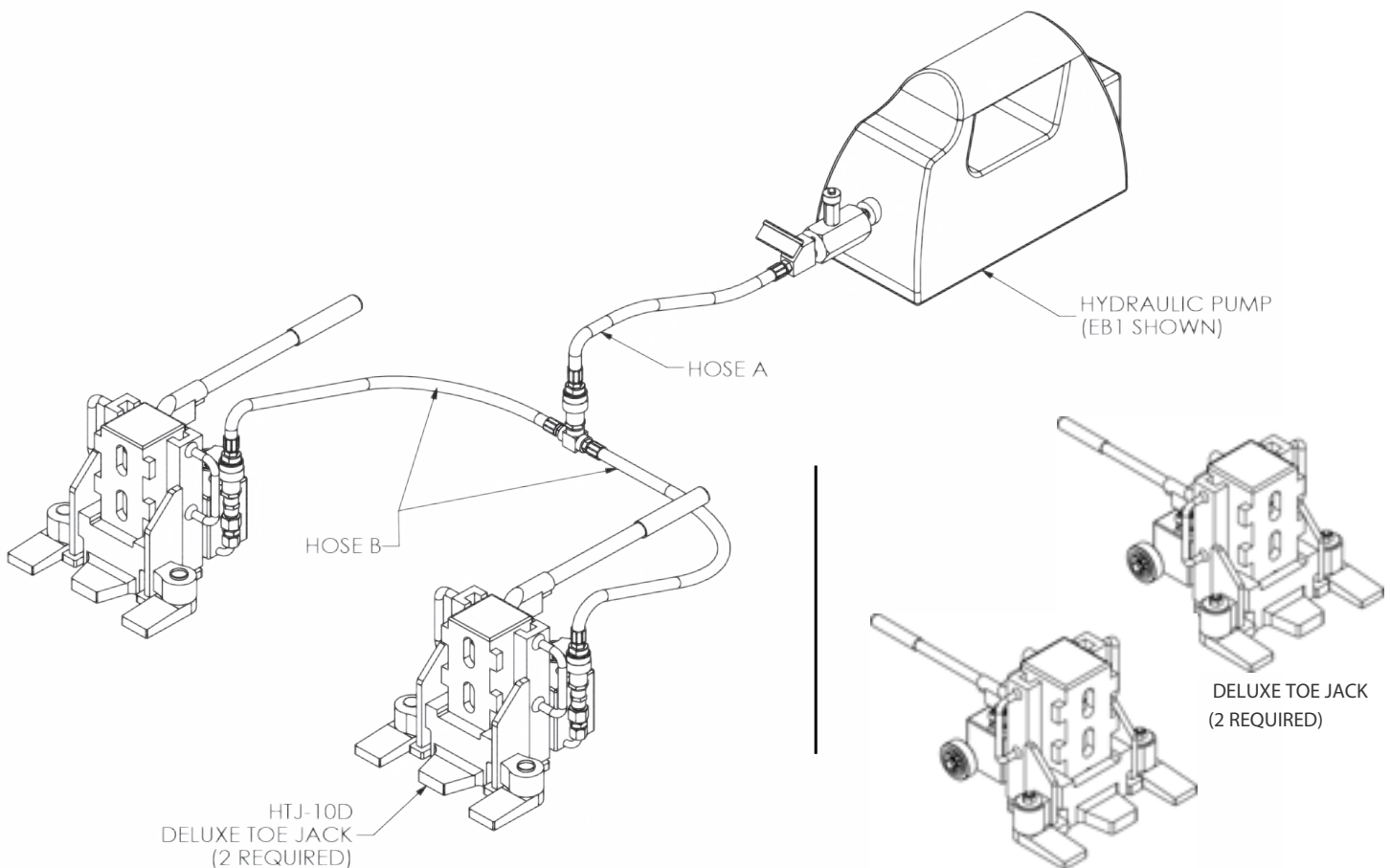


KITS

Everything you need to lift your load with minimal effort! This complete kit features a battery powered hydraulic pump, optional manual operation of jacks, adjustable toe, stabilizing feet, and a release valve for smooth lowering. System comes complete with two 10 ton deluxe hydraulic jacks (manual or automatic operation), portable hydraulic battery powered pump, and hydraulic hose assembly with 10' of hose for each jack. Available in 20 & 50 tons.

Hilman Part #	Lift Capacity	Charge Voltage
HTJ-20-1010-EB1	20 tons	115 VAC
HTJ-20-1010-EB2	20 tons	230 VAC, EU
HTJ-50-1010-EB1	50 tons	115 VAC
HTJ-50-1010-EB2	50 tons	230 VAC, EU
HTJ-50-1010-EP1	50 tons	110/115 VAC, 510-60 Hz SINGLE PHASE
HTJ-50-1010-EP2	50 tons	230 VAC, 50-60 Hz SINGLE PHASE

For custom hose lengths, please contact the factory.



EXPERIENCE

Hilman designs, engineers, and manufactures complete turnkey solutions customized to meet your project needs. Our team of engineers collaborates closely with clients worldwide on unique projects, delivering products that integrate seamlessly into your application for a flawless move!

THOUSANDS OF PROVEN DESIGNS!



HILMAN WARRANTY

We warrant each new standard skate product* to be free from material and manufacturing defects for a period of five (5) years when used as intended. The warranty commences with shipment of the product to the original user. All other products manufactured by Hilman Incorporated (Hilman) have a warranty period of one (1) year. Our obligation under this warranty is expressly limited, at our option, to replacement or repair at Marlboro, New Jersey 07746 USA, or at a service facility designated by us, of such part or parts as inspection shall disclose to have been defective. This warranty does not apply to defects caused by damage or unreasonable use or failure to provide reasonable and necessary maintenance while in the possession of the consumer. Consumables such as, poly and nylon wheels, pads and swivel locks are not covered by this warranty. Modifying, machining, welding or any significant changes to any of our product voids this warranty.

*List of Standard Skate Products: FT, Nyton, ERS, OT, NT, T, SHD, TMS, BULL DOLLY, TRI-GLIDE, OMNI

WE SHALL NOT BE LIABLE FOR CONSEQUENTIAL DAMAGES OF ANY KIND, including, but not limited to, consequential labor costs or transportation charges in connection with the replacement or repair of defective parts. We make no warranty with respect to trade accessories. They are subject to the warranties of their manufacturers.

THERE ARE NO WARRANTIES EXCEPT AS ABOVE STATED. HILMAN DISCLAIMS AND EXCLUDES ANY IMPLIED WARRANTY OF MERCHANTABILITY OF ITS GOODS OR WARRANTY OF THE FITNESS OF THOSE GOODS FOR ANY PURPOSE OR USE. Subject to the express warranty provided for the repair or replacement of defective goods, the customer acknowledges that it makes its purchase in reliance upon customers' inspection of the goods purchased from Hilman and not by reason of any representations made by or on behalf of Hilman.

We make no other express warranty, nor is anyone authorized to make any on our behalf. Any and all claims arising against Hilman or subsidiaries or affiliated firms concerning the use of our products shall be governed by the laws of the State of New Jersey in the USA.



HILMAN INC.
12 Timber Lane
Marlboro, New Jersey 07746
USA
Phone: +1-732-462-6277
E-mail: sales@hilmanrollers.com
Website: www.hilmanrollers.com

ISO 9001

9/2024
CAT - 002