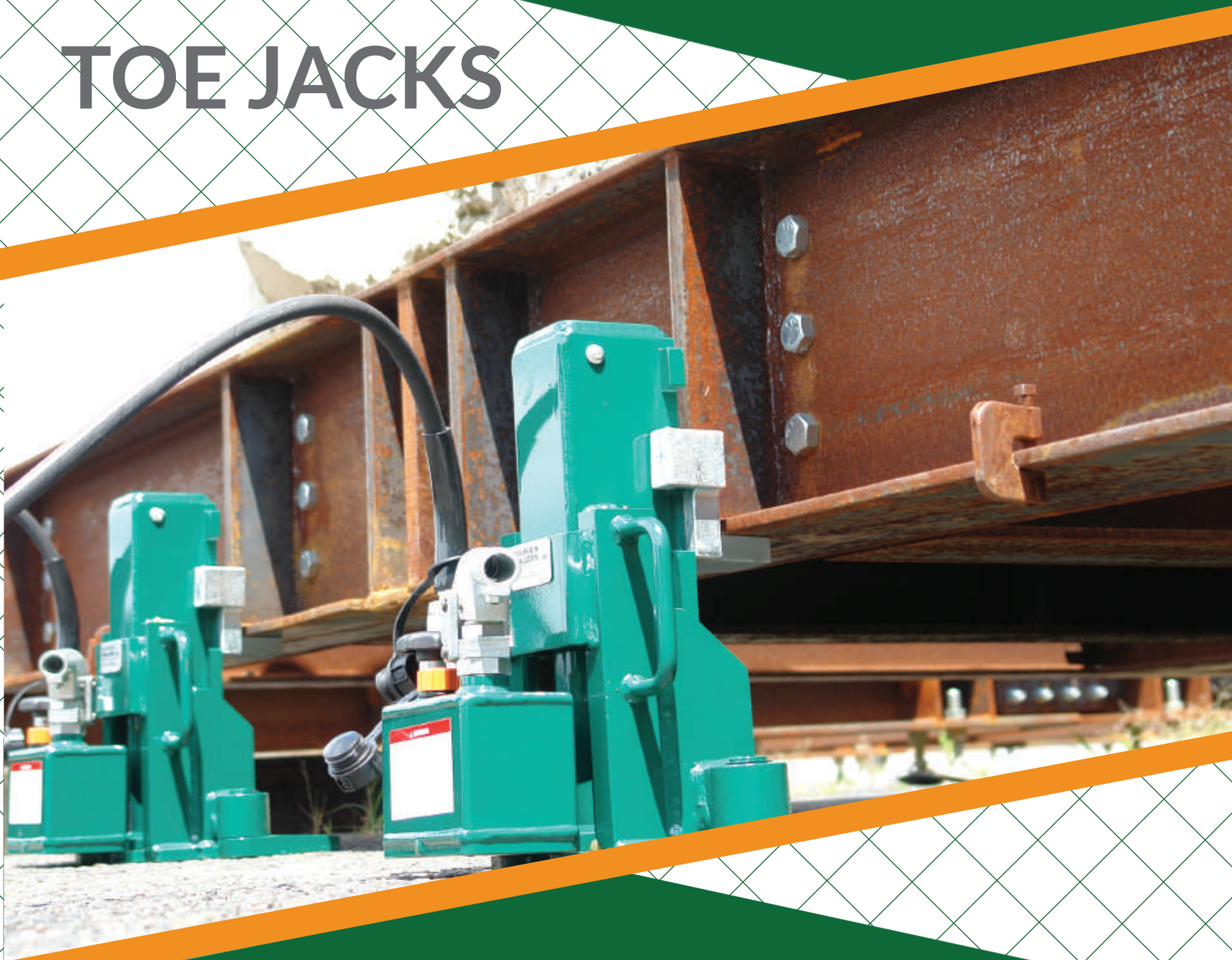


TOE JACKS



TOE JACKS

5 & 10 TON JACKS



LOW GROUND CLEARANCE
-Our Toe Jacks can lift equipment with just over 1" of ground clearance.

10 & 25 TON DELUXE



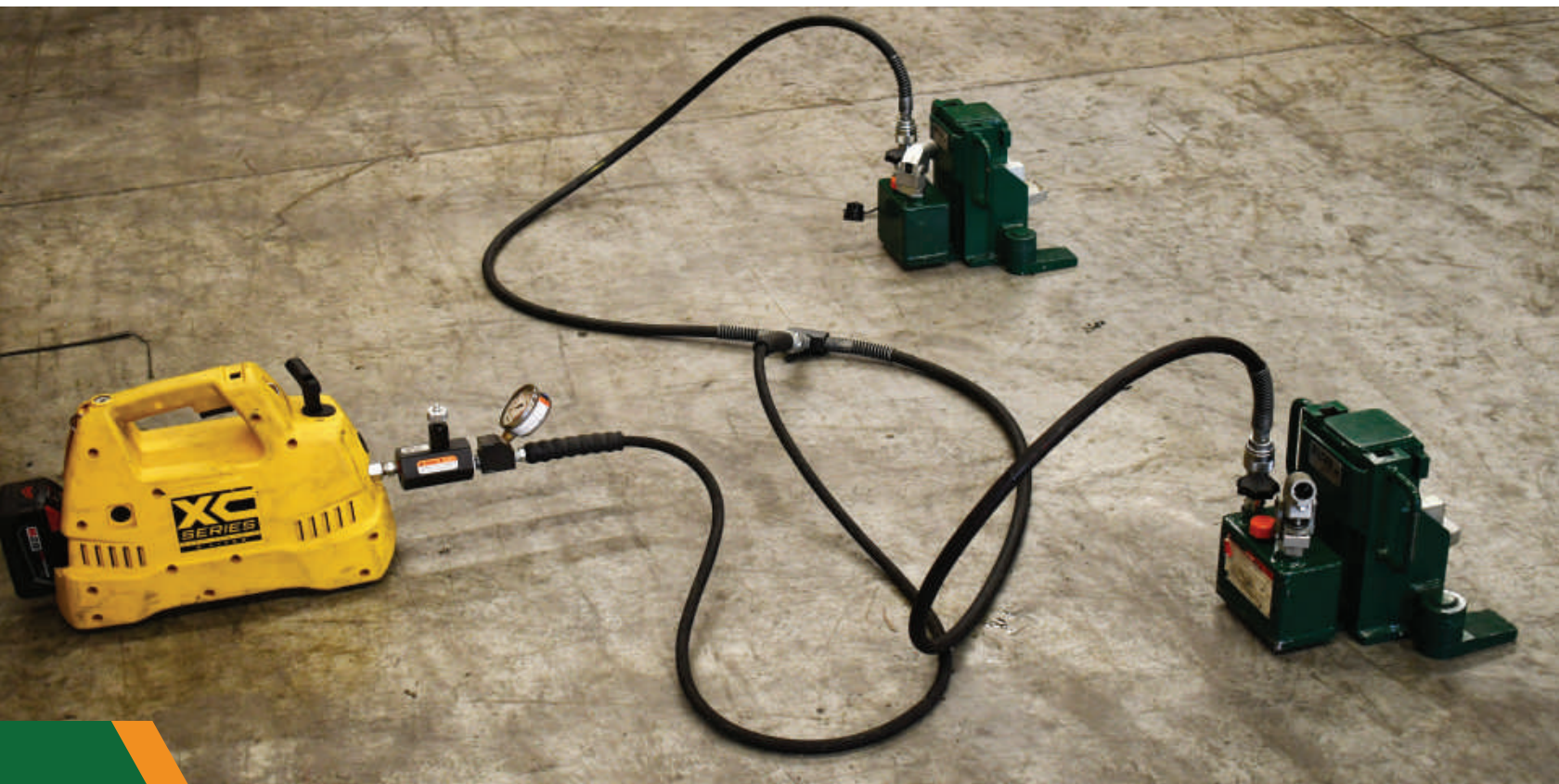
HIGH QUALITY LIFTING TOE
-Hilman Deluxe Jacks feature a high quality lifting toe that can be adjusted to several heights to accommodate different lift points.

20 & 50 TON KITS



HYDRAULIC PUMP - Our quality toe jacks kits include hydraulic pumps and have everything you need to lift equipment safely and efficiently

**EASY LIFTING!
USE MANUALLY OR CONNECT TO PUMP!**



TOE JACKS

LOW CLEARANCE

Our Toe Jacks can lift equipment with just over 1" of ground clearance (1.06" to be exact).

MOVE EASILY

Since the base, toe and pump swivel independently of each other, you can fit the jack in confined spaces.

Our Toe Jacks comply with ASME B30.1 standards.



MODEL	CAPACITY	MAXIMUM LIFTING HEIGHT		PICKING UP POSITION HEIGHT		TOE DEPTH (D)	HANDLE LENGTH (H)	FORCE ON LEVER AT MAXIMUM LOAD	WEIGHT
		At Base (A)	At Top (S)	At Base (B)	At Top (T)				
		inches (mm)	inches (mm)	inches (mm)	inches (mm)	inches (mm)	inches (mm)	lb. (N)	lb. (kg)
HTJ5	5 TON	8 (206)	22.5 (574)	1 (25)	14.5 (368)	2.0 (55)	17.75 (451)	85.5 (380)	54 (24.5)
HTJ10	10 TON	9 (233)	25.5 (646)	1 (25)	16.25 (413)	2.0 (55)	17.75 (451)	90.0 (400)	76 (34.5)

TOE JACK PRO

FASTER LIFT

Our Toe Jack Pro gets 20% more distance per stroke!

EASY OPERATION

Our 5 & 10 models can operate both vertically and horizontally and have the same capacity toe or top.



Model	Load Capacity (tons)	Jack Height Retracted (in/mm)	Jack Height Extended (in/mm)	Toe Height (in/mm)	Total Stroke (in/mm)	Pumps (#)	Stroke/Pump (in/mm)	Weight (lbs/kg)
HTJ-508	5 ton	14.5"/368	22.5"/571	1.040"/26	8"/203	45	.178"/4.5	42/19
HTJ-1009	10 ton	16.5"/419	25.625"/650	1.125"/28	9.125"/231	97	.094"/2.3	64.8/29

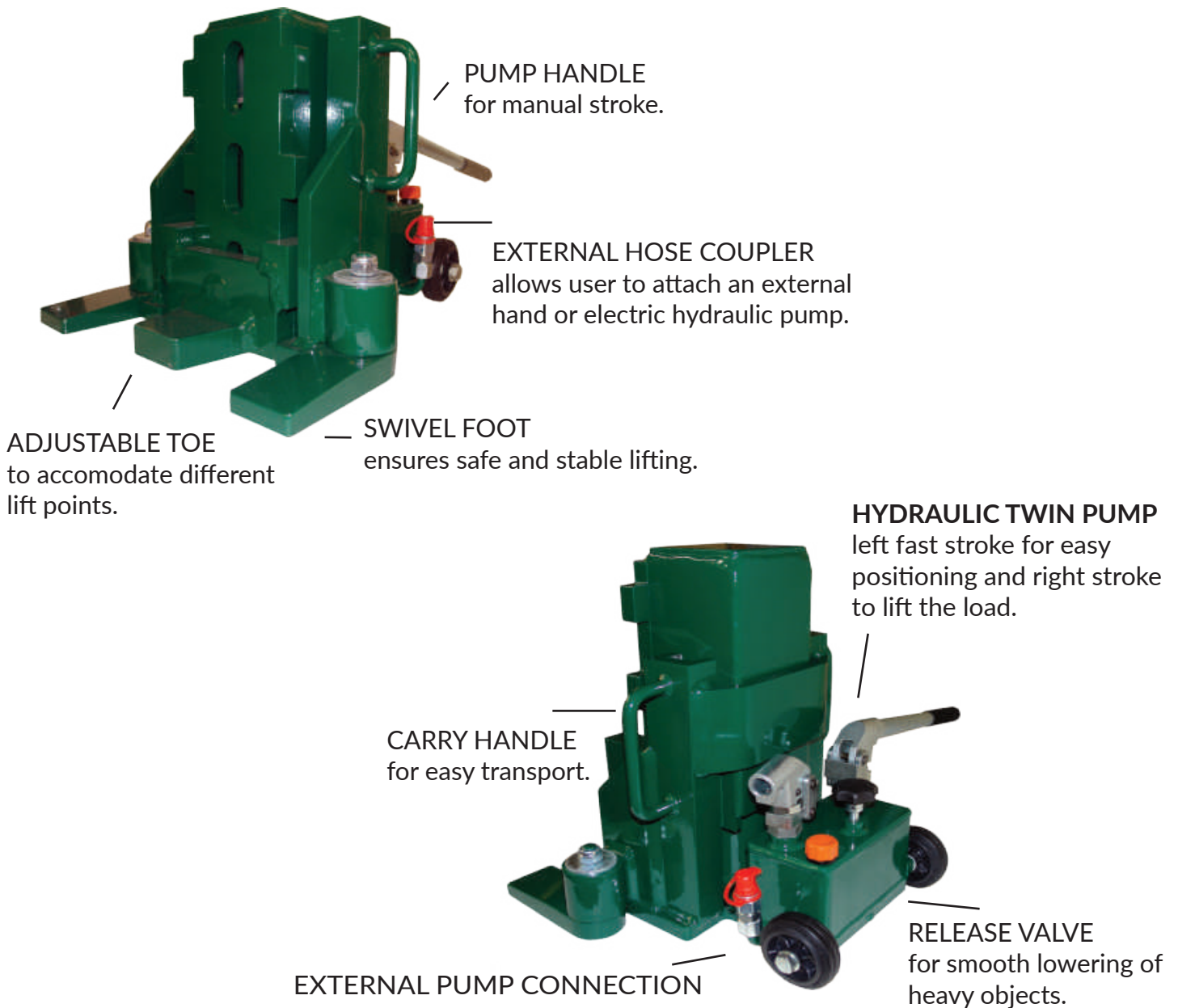
DELUXE JACKS

HIGH QUALITY LIFTING TOE

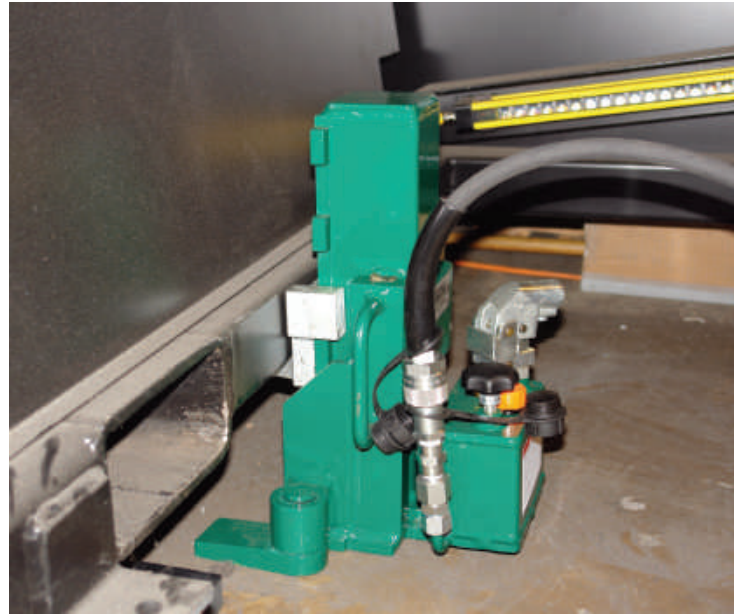
Hilman Deluxe Jacks feature a high quality lifting toe that can be adjusted to several heights to accommodate different lift points. Strong lift legs and a release valve combine to make stable lifting and smooth lowering of heavy objects.

HYDRAULIC PUMP

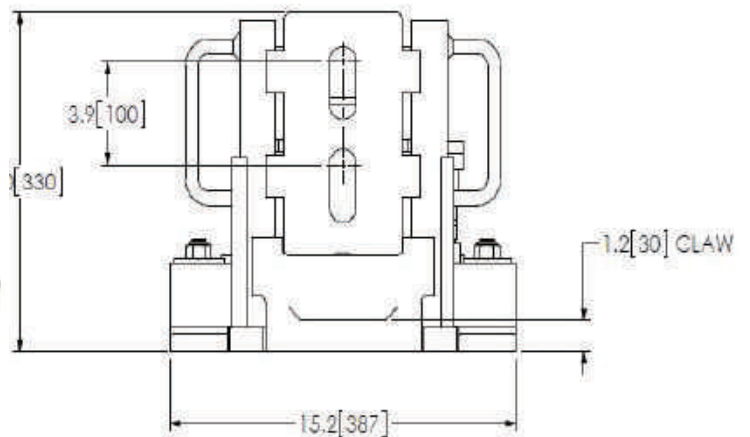
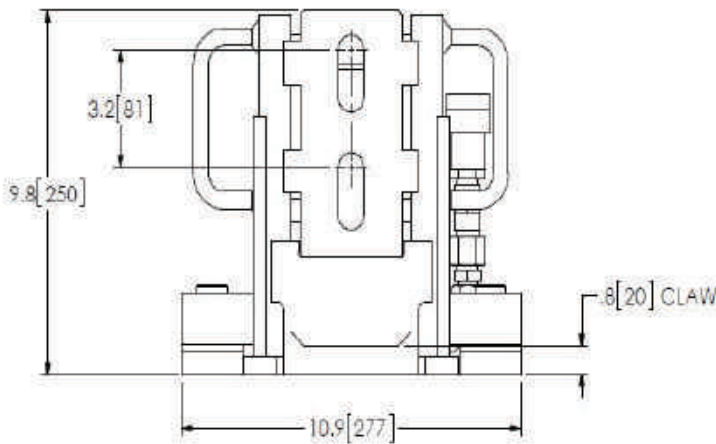
Deluxe Jacks come with an external hose coupler that allows the user to attach an external hand or electric hydraulic pump for easy and safe positioning.



DELUXE



MODEL	CAPACITY	CLAW HEIGHT		ADJUSTABILITY		STROKE		LENGTH (L)		WIDTH (W)		HEIGHT (H)		WEIGHT	
		inches	(mm)	inches	(mm)	inches	(mm)	inches	(mm)	inches	(mm)	inches	(mm)	lb.	(kg)
HTJ-10D	10 TON	0.79"	(20)	3 x 3.19"	(3 x 81)	5.5"	(140)	10.67	(271)	10.9	(277)	9.8	(250)	62	(28)
HTJ-25D	25 TON	1.18"	(30)	3 x 3.94"	(3 x 100)	5.5"	(140)	15.28	(388)	15.24	(387)	13.0	(330)	159	(72)



KITS

Everything you need to lift your load with minimal effort. This complete kit features battery powered hydraulic pump, optional manual operation of jacks, adjustable toe, stabilizing feet, release valve for smooth lowering. System comes complete with two 10 ton deluxe hydraulic jacks (manual or automatic operation), portable hydraulic battery powered pump and hydraulic hose assembly with 10' of hose for each jack. Available in 20 & 50 tons.

